

EXTERIOR SHEATHING (NBM)

WEATHER & AIR BARRIER (NBM)

SUBGIRT

Y-36 PANEL SHOWN
BR-35 PANEL SIMILAR

NOTE: (NBM) = NOT BY MORIN

Morin

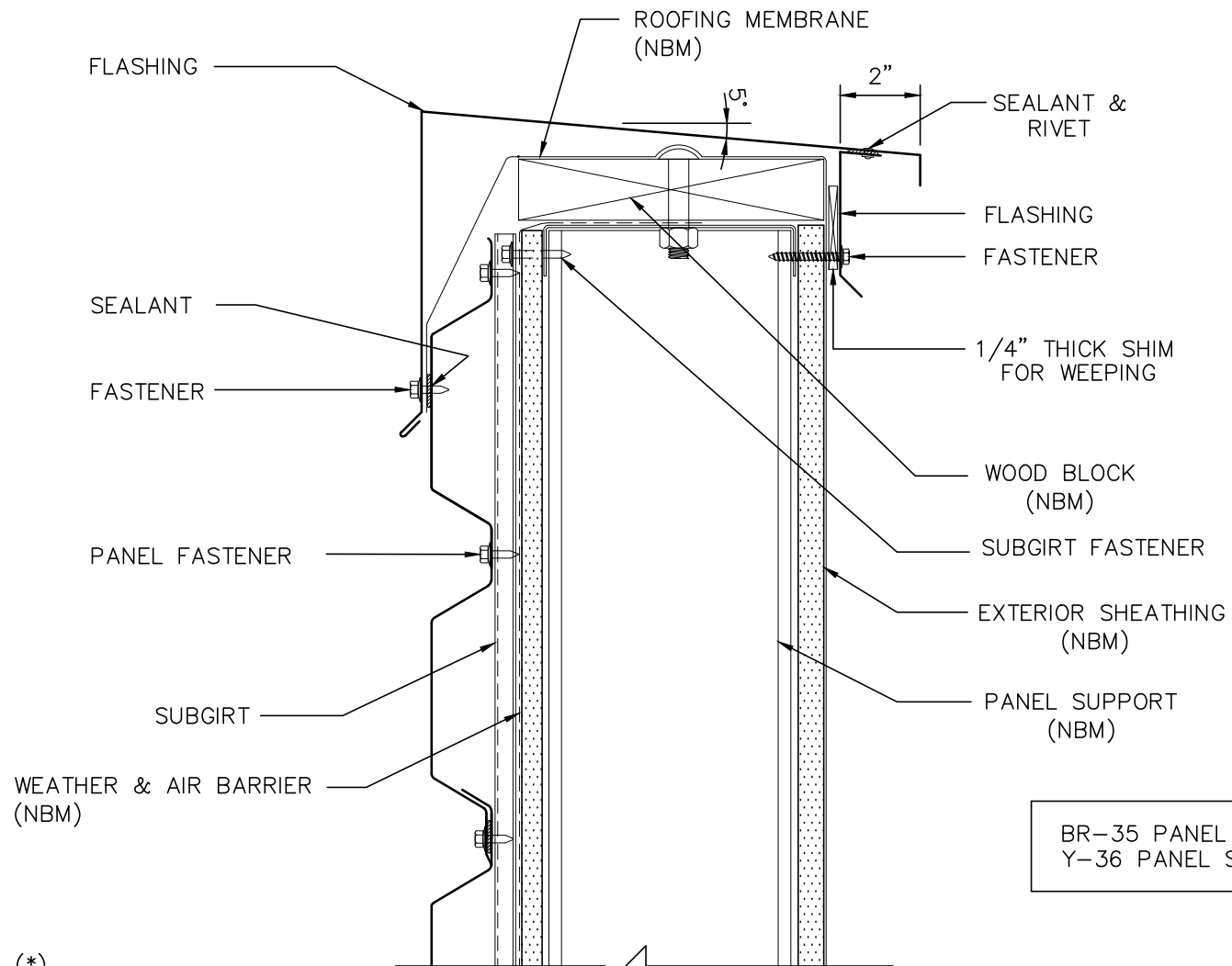
EXPOSED FASTENER PANELS
HORIZONTAL APPLICATION

BR-35 & Y-36 PROFILES

DWG. EFH1300T



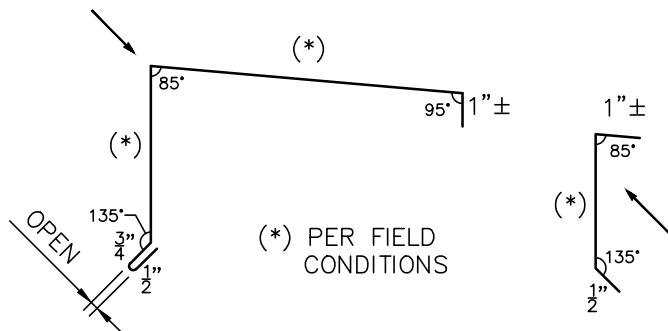
TYPICAL PANEL ASSEMBLY



BR-35 PANEL SHOWN
Y-36 PANEL SIMILAR

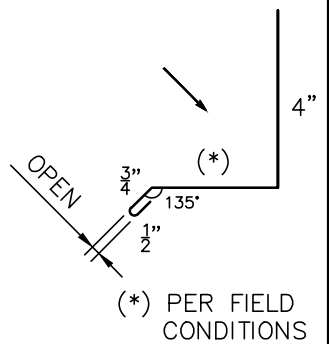
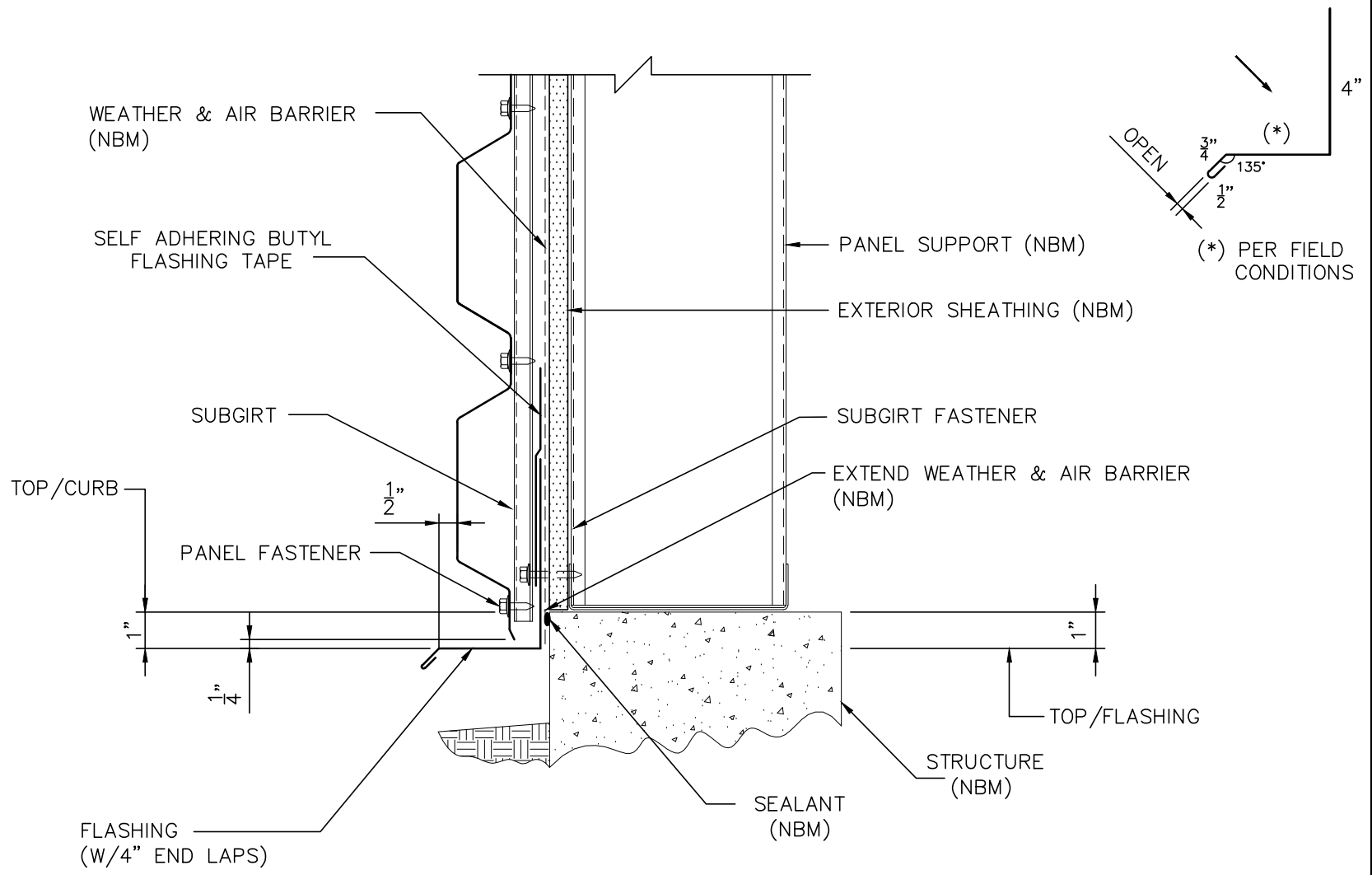
NOTE: (NBM) = NOT BY MORIN

COPING DETAIL



Morin	
<u>EXPOSED FASTENER PANELS</u> <u>HORIZONTAL APPLICATION</u>	
BR-35 & Y-36 PROFILES	
DWG. EFH1301T	



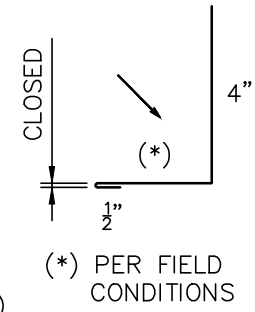
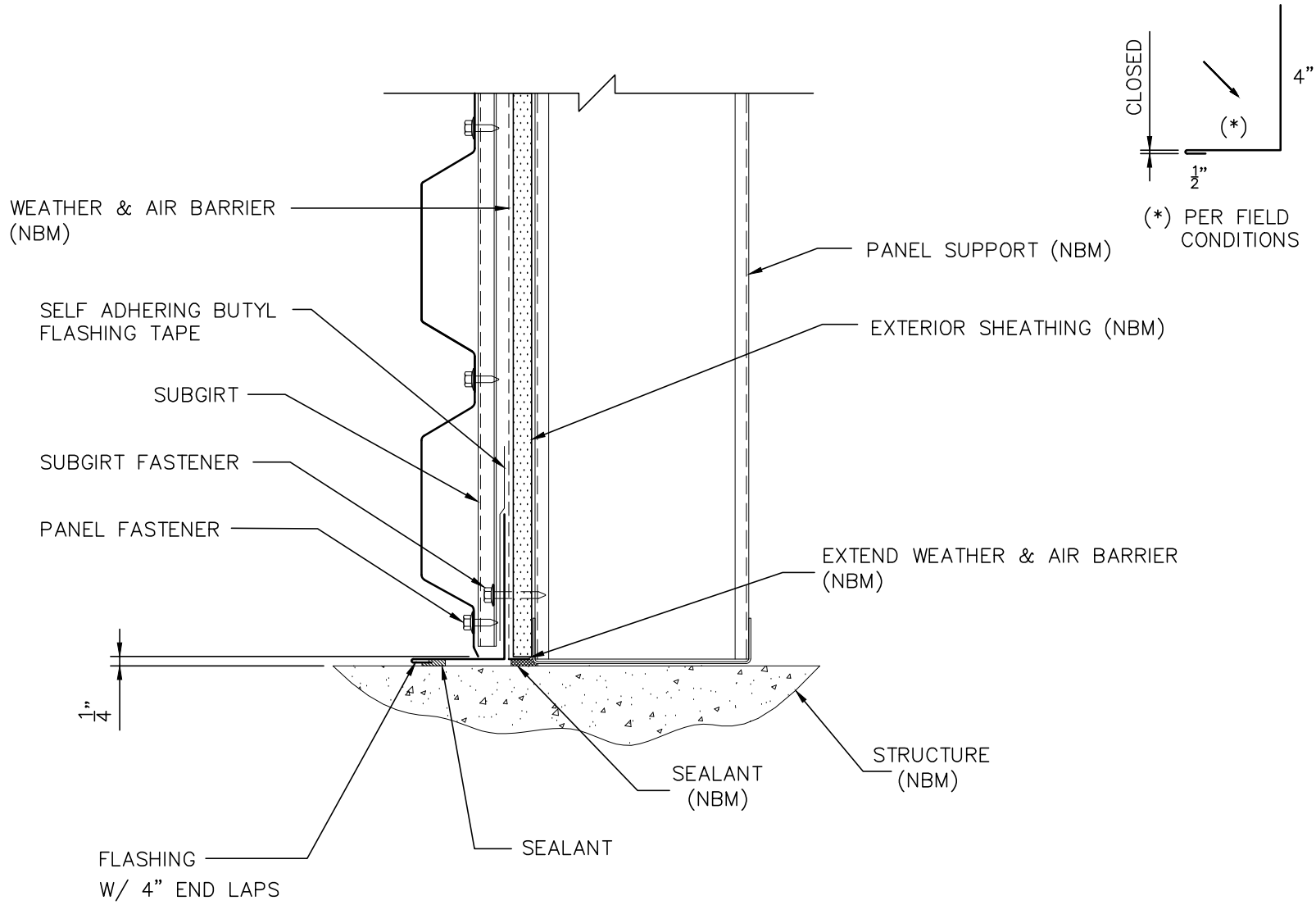


BR-35 PANEL SHOWN
Y-36 PANEL SIMILAR

**BASE AT CURB OR
EDGE OF SLAB DETAIL**

NOTE: (NBM) = NOT BY MORIN

Morin	
<u>EXPOSED FASTENER PANELS HORIZONTAL APPLICATION</u>	
BR-35 & Y-36 PROFILES	
DWG. EFH1302T	△

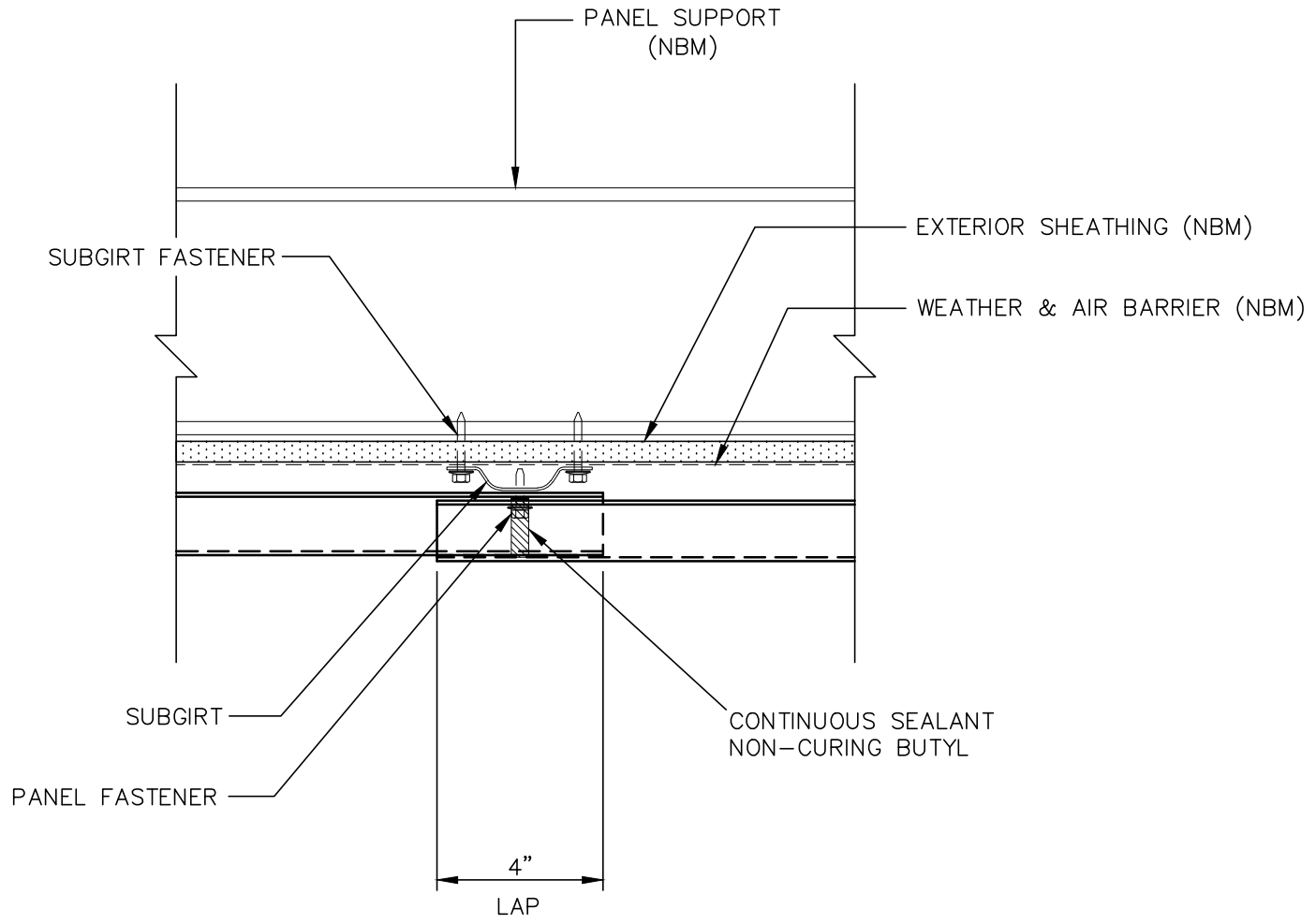


BASE AT SLAB DETAIL

NOTE: (NBM) = NOT BY MORIN

BR-35 PANEL SHOWN
Y-36 PANEL SIMILAR

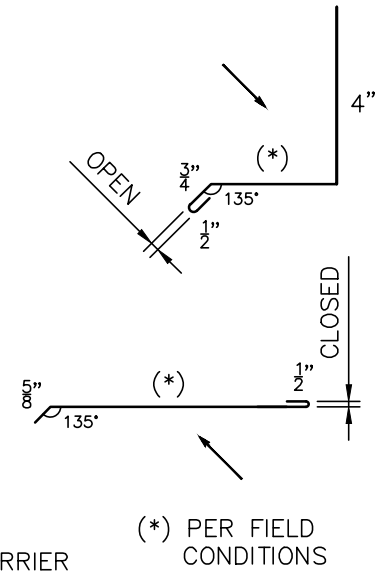
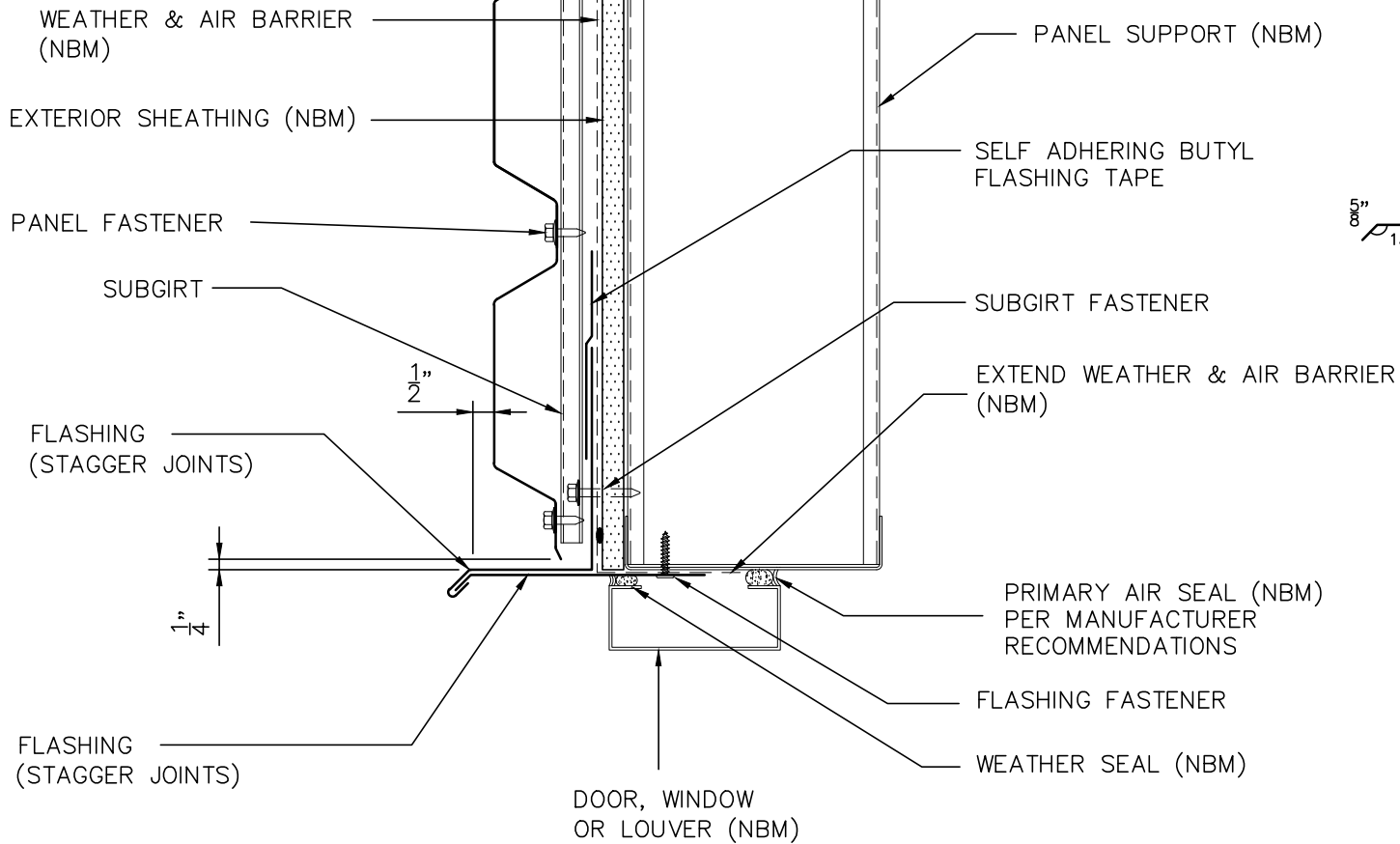
Morin	
EXPOSED FASTENER PANELS HORIZONTAL APPLICATION	
BR-35 & Y-36 PROFILES	
DWG. EFH1303T	△



END LAP DETAIL

NOTE: (NBM) = NOT BY MORIN

<i>Morin</i>	
<u>EXPOSED FASTENER PANELS</u> <u>HORIZONTAL APPLICATION</u>	
BR-35 & Y-36 PROFILES	
DWG. EFH1304T	△

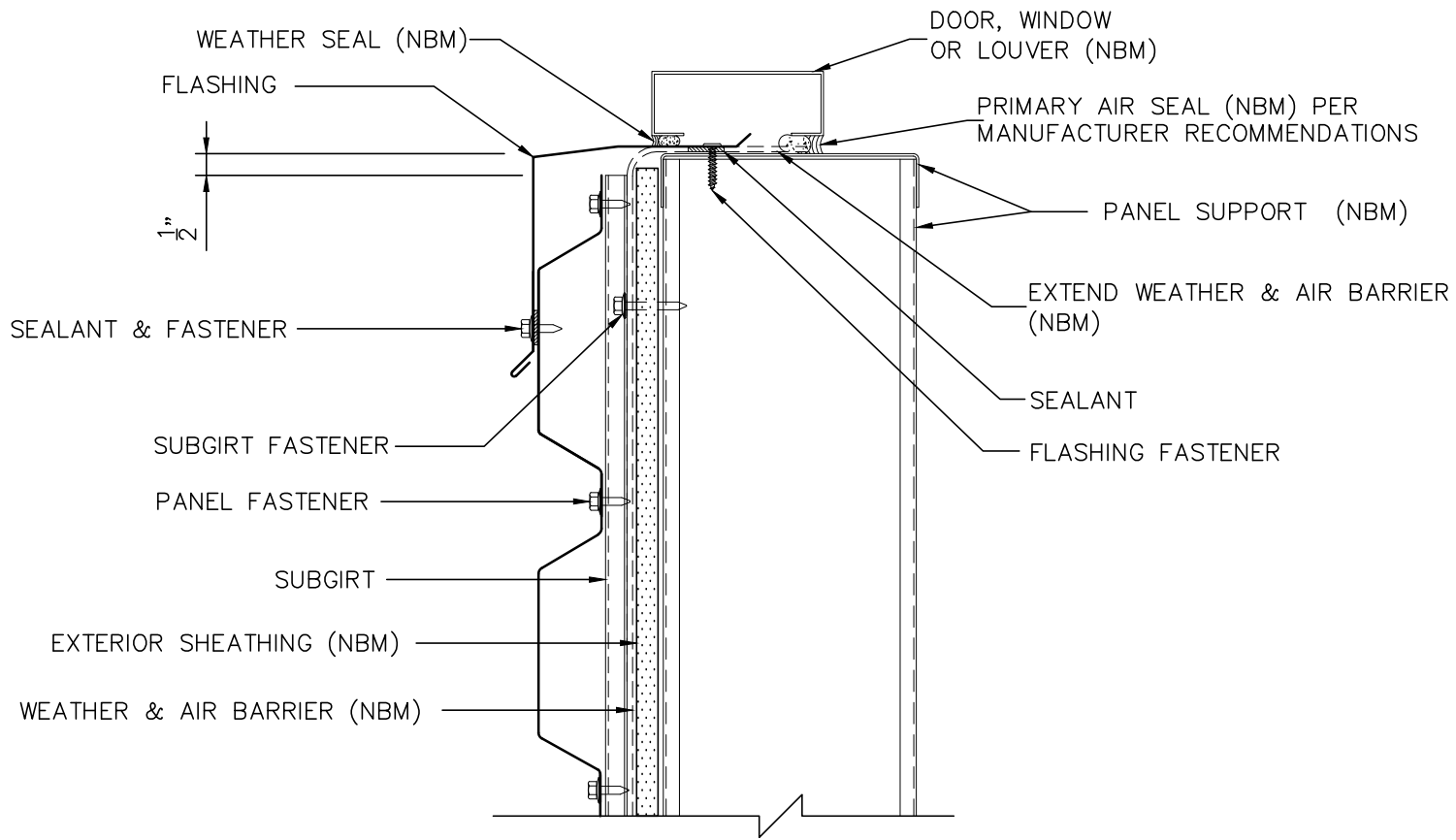
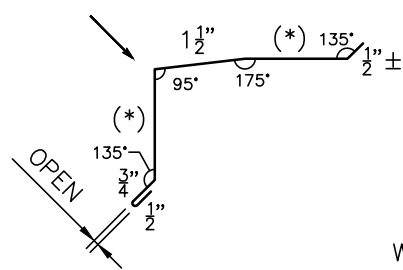


BR-35 PANEL SHOWN
Y-36 PANEL SIMILAR

DOOR/WINDOW/LOUVER HEAD DETAIL

NOTE: (NBM) = NOT BY MORIN

Morin	
<u>EXPOSED FASTENER PANELS</u> <u>HORIZONTAL APPLICATION</u>	
BR-35 & Y-36 PROFILES	
DWG. EFH1305T	△

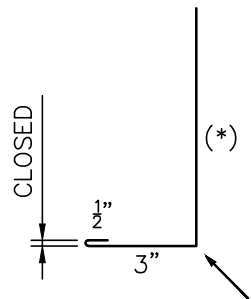


BR-35 PANEL SHOWN
Y-36 PANEL SIMILAR

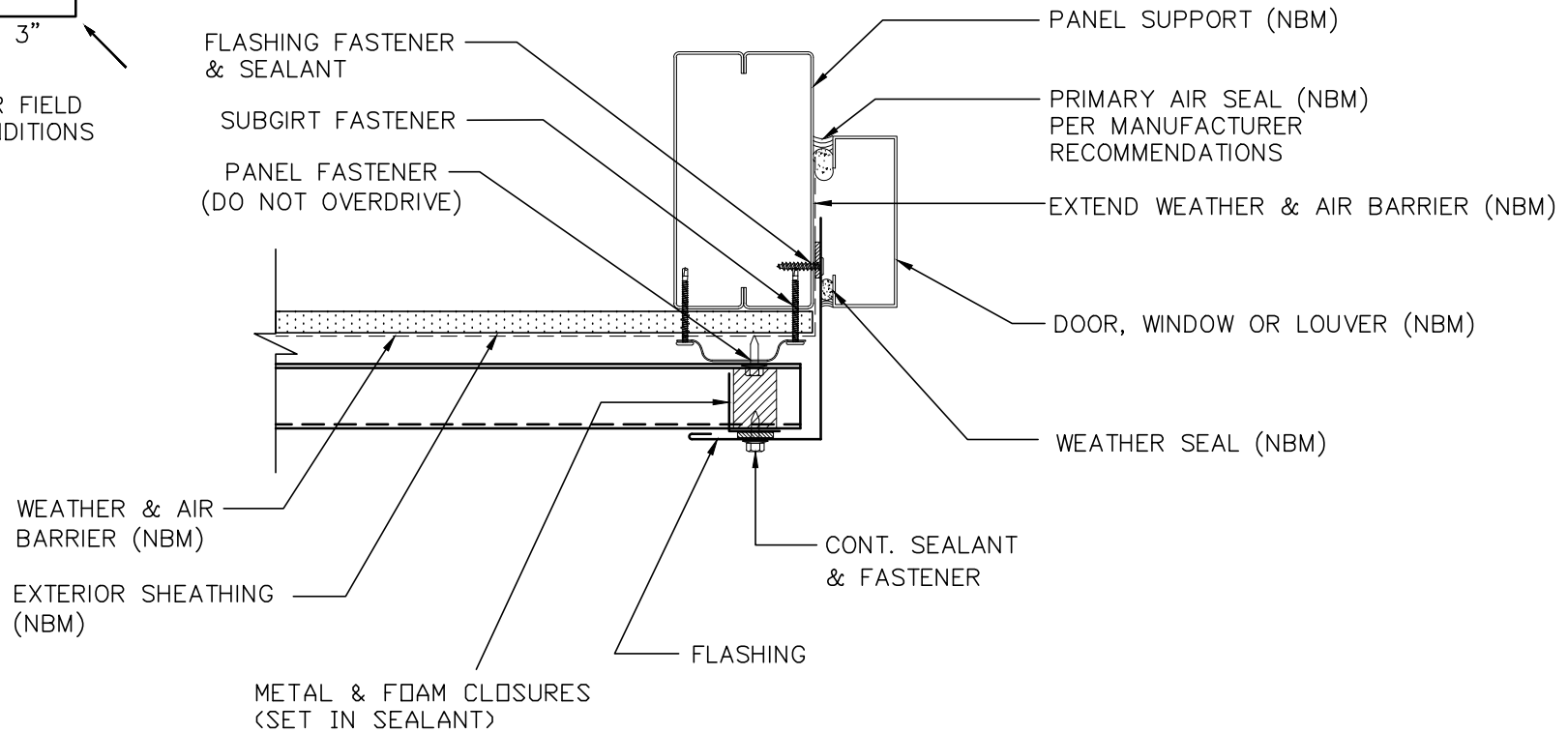
NOTE: (NBM) = NOT BY MORIN

DOOR/WINDOW/LOUVER SILL DETAIL

Morin	
<u>EXPOSED FASTENER PANELS</u> <u>HORIZONTAL APPLICATION</u>	
BR-35 & Y-36 PROFILES	
DWG. EFH1306T	△



(*) PER FIELD CONDITIONS



DOOR/WINDOW/LOUVER JAMB DETAIL

NOTE: (NBM) = NOT BY MORIN

Morin

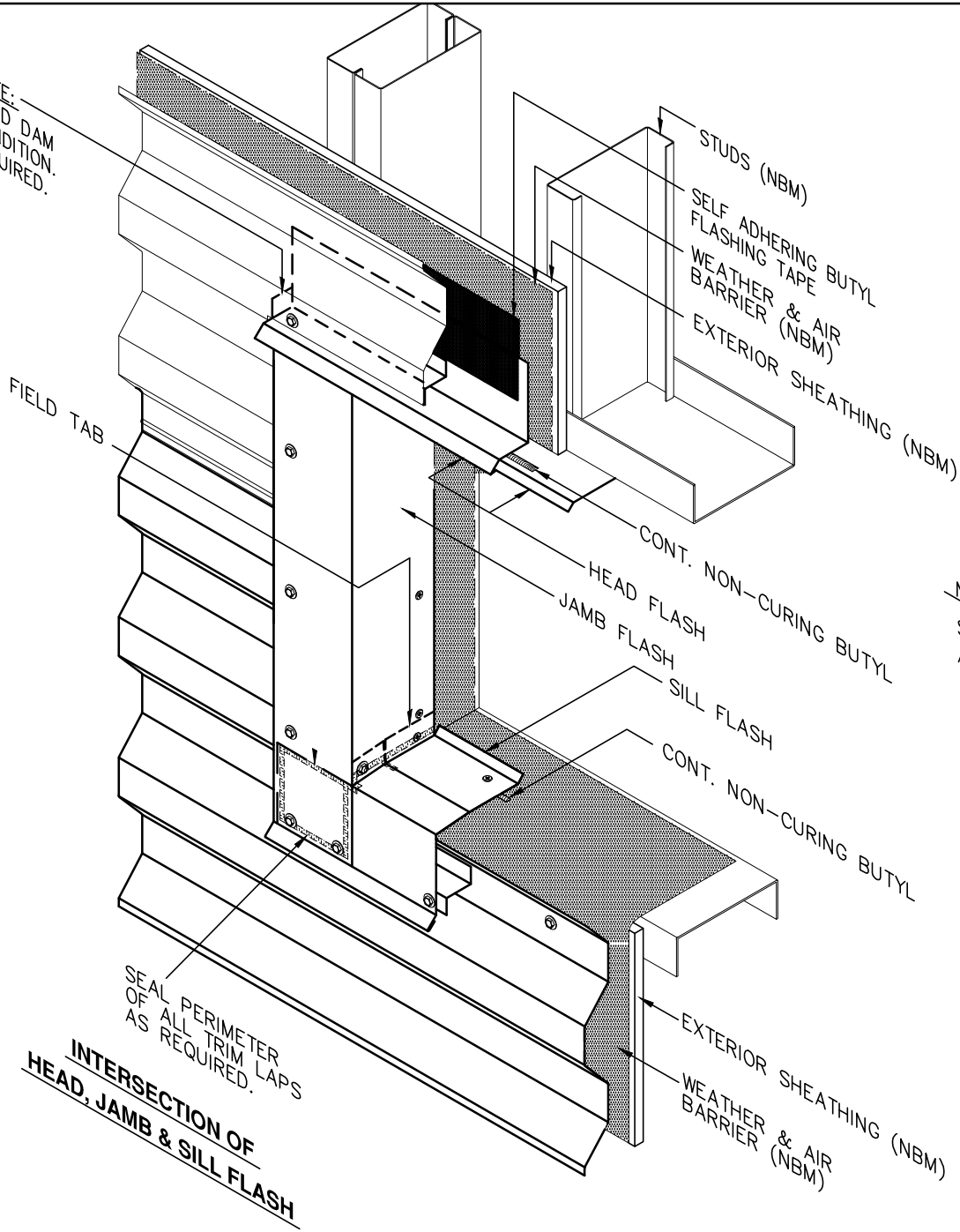
EXPOSED FASTENER PANELS
HORIZONTAL APPLICATION

BR-35 & Y-36 PROFILES

DWG. EFH1307T



ERECTOR NOTE:
FIELD TAB END DAM
AT HEAD CONDITION.
SEAL AS REQUIRED.



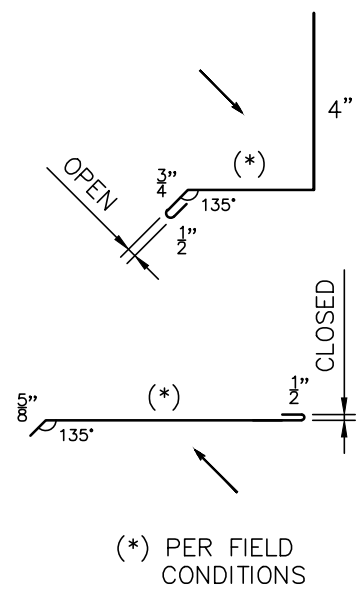
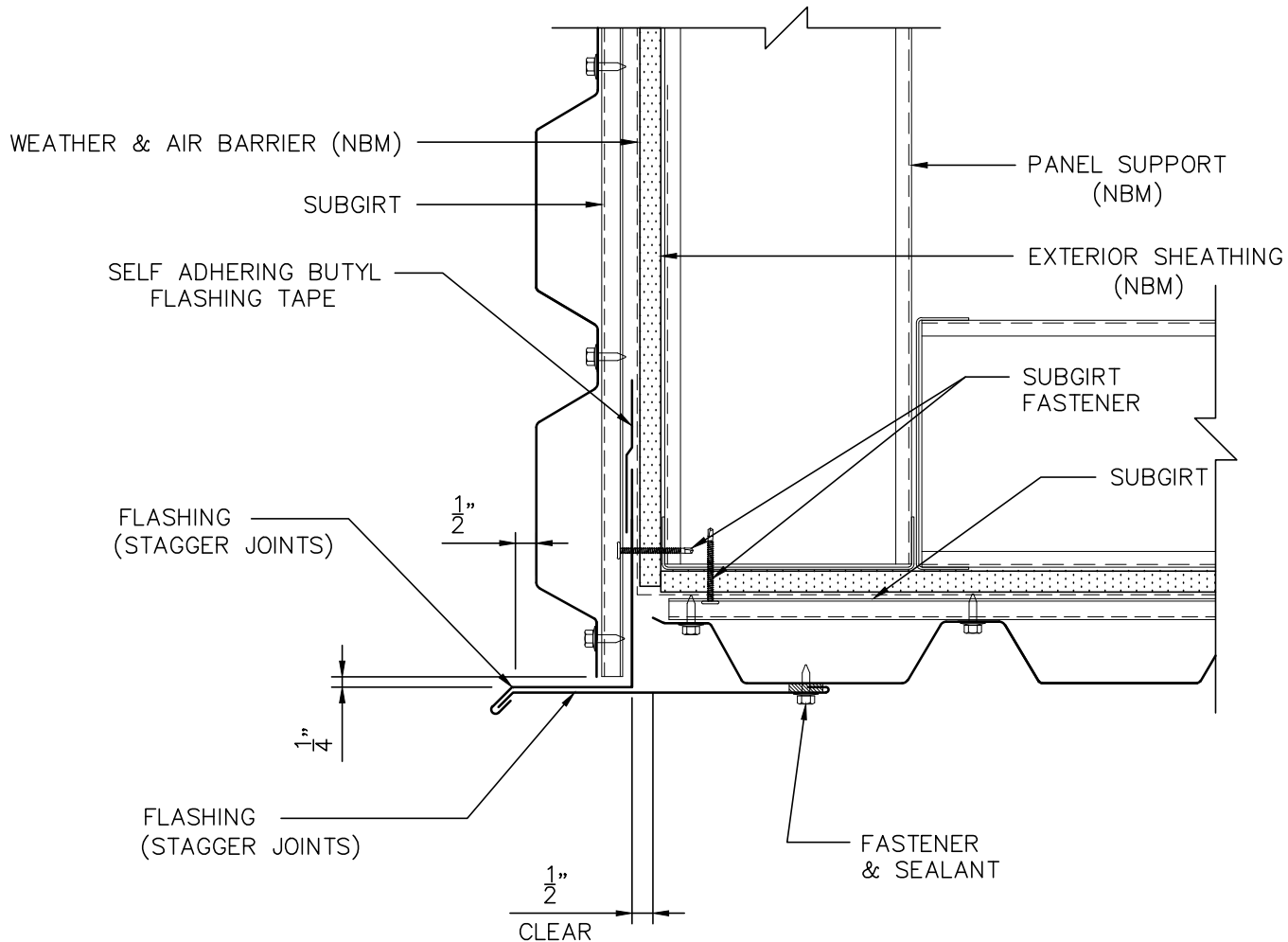
PLEASE NOTE:
THE Y-36 PANEL PROFILE IS SHOWN IN THIS DETAIL. THE DETAIL APPLIES TO ALL HORIZONTALLY ERECTED EXPOSED FASTENER PANELS. THE DESIGN OF THE FLASHING, METAL & COMPOSITION CLOSURE MUST BE ADJUSTED TO ACCOMMODATE THE PANEL PROFILE USED.

NOTE:
SEE DETAILS EFH1305T, EFH1306T & EFH1307T FOR ADDITIONAL INFO & SEALANT REQUIREMENTS.

NOTE: (NBM) = NOT BY MORIN

SEAL PERIMETER OF ALL TRIM LAPS AS REQUIRED.
INTERSECTION OF HEAD, JAMB & SILL FLASH

Morin
EXPOSED FASTENER PANELS HORIZONTAL APPLICATION
BR-35 & Y-36 PROFILES
DWG. EFH1308T



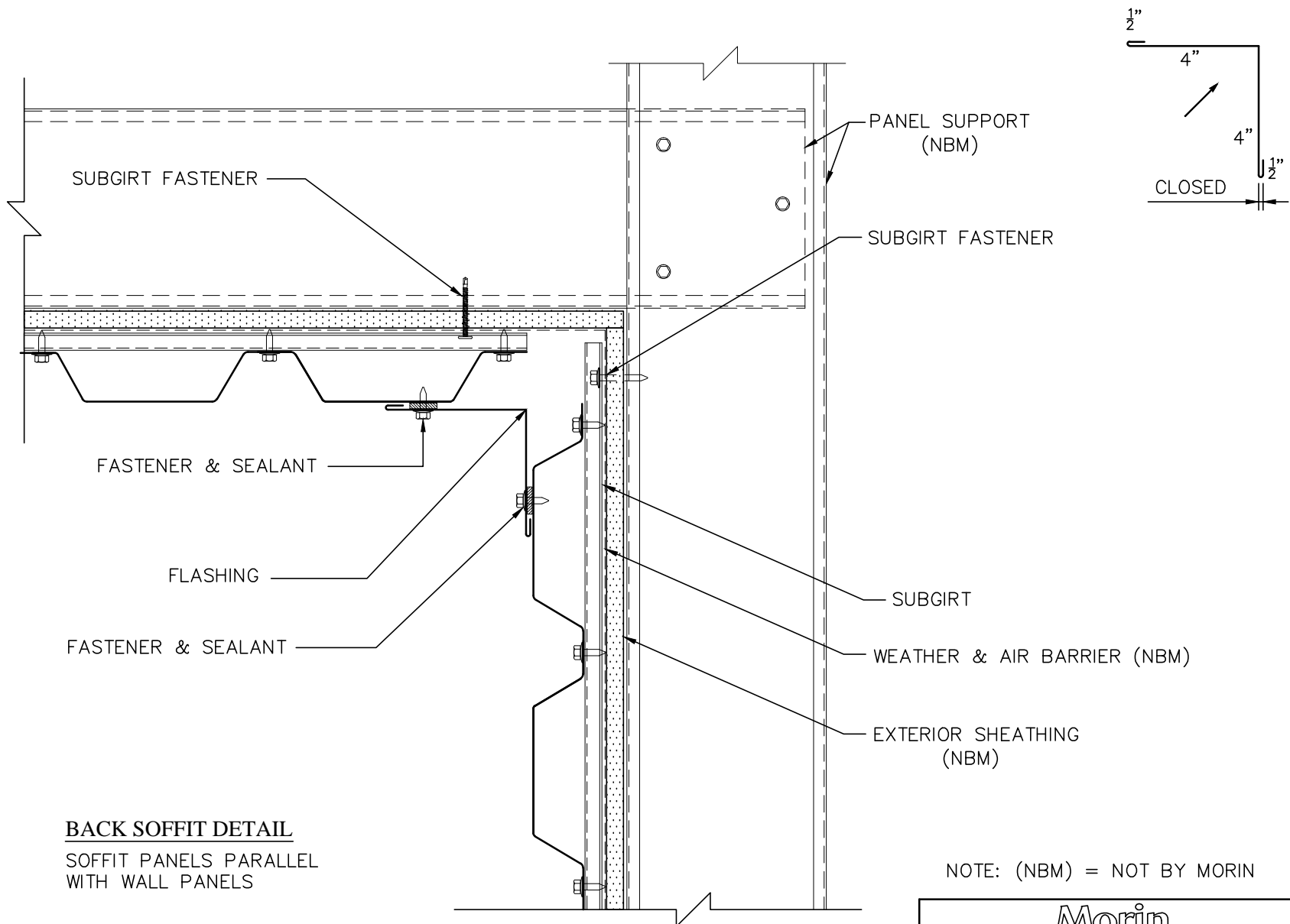
BR-35 PANEL SHOWN
Y-36 PANEL SIMILAR

FRONT SOFFIT DETAIL
SOFFIT PANELS PARALLEL
WITH WALL PANELS

NOTE: (NBM) = NOT BY MORIN

Morin	
EXPOSED FASTENER PANELS HORIZONTAL APPLICATION	
BR-35 & Y-36 PROFILES	
DWG. EFH1309T	





BACK SOFFIT DETAIL
SOFFIT PANELS PARALLEL
WITH WALL PANELS

NOTE: (NBM) = NOT BY MORIN

Morin

**EXPOSED FASTENER PANELS
HORIZONTAL APPLICATION**

BR-35 & Y-36 PROFILES

DWG. EFH1310T



BR-35 PANEL SHOWN
Y-36 PANEL SIMILAR

WEATHER & AIR BARRIER (NBM)

SUBGIRT

PANEL FASTENER

SELF ADHERING BUTYL FLASHING TAPE

$\frac{1}{2}$ "

FLASHING (STAGGER JOINTS)

$\frac{1}{4}$ "
WEEP GAP

FLASHING (STAGGER JOINTS)

FASTENER & SEALANT

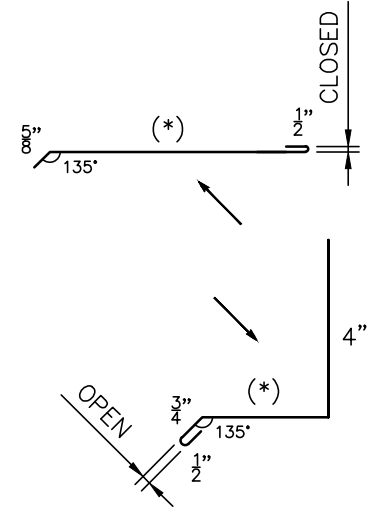
PANEL SUPPORT (NBM)

EXTERIOR SHEATHING (NBM)

SUBGIRT FASTENERS

SUBGIRT

METAL & FOAM CLOSURES (SET IN SEALANT)



(*) PER FIELD CONDITIONS

FRONT SOFFIT DETAIL

SOFFIT PANELS PERPENDICULAR TO WALL PANELS

NOTE: (NBM) = NOT BY MORIN

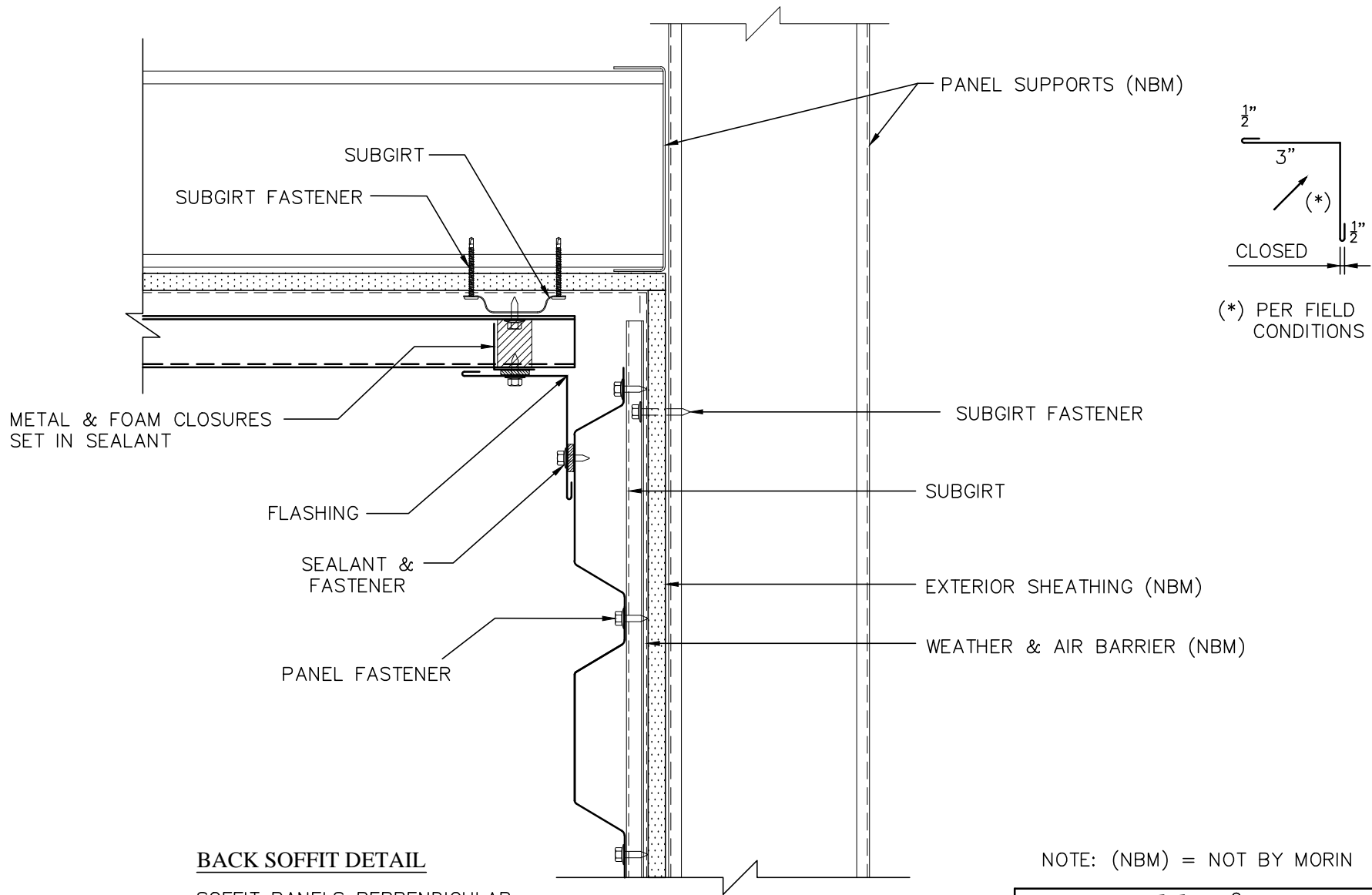
Morin

EXPOSED FASTENER PANELS
HORIZONTAL APPLICATION

BR-35 & Y-36 PROFILES

DWG. EFH1311T





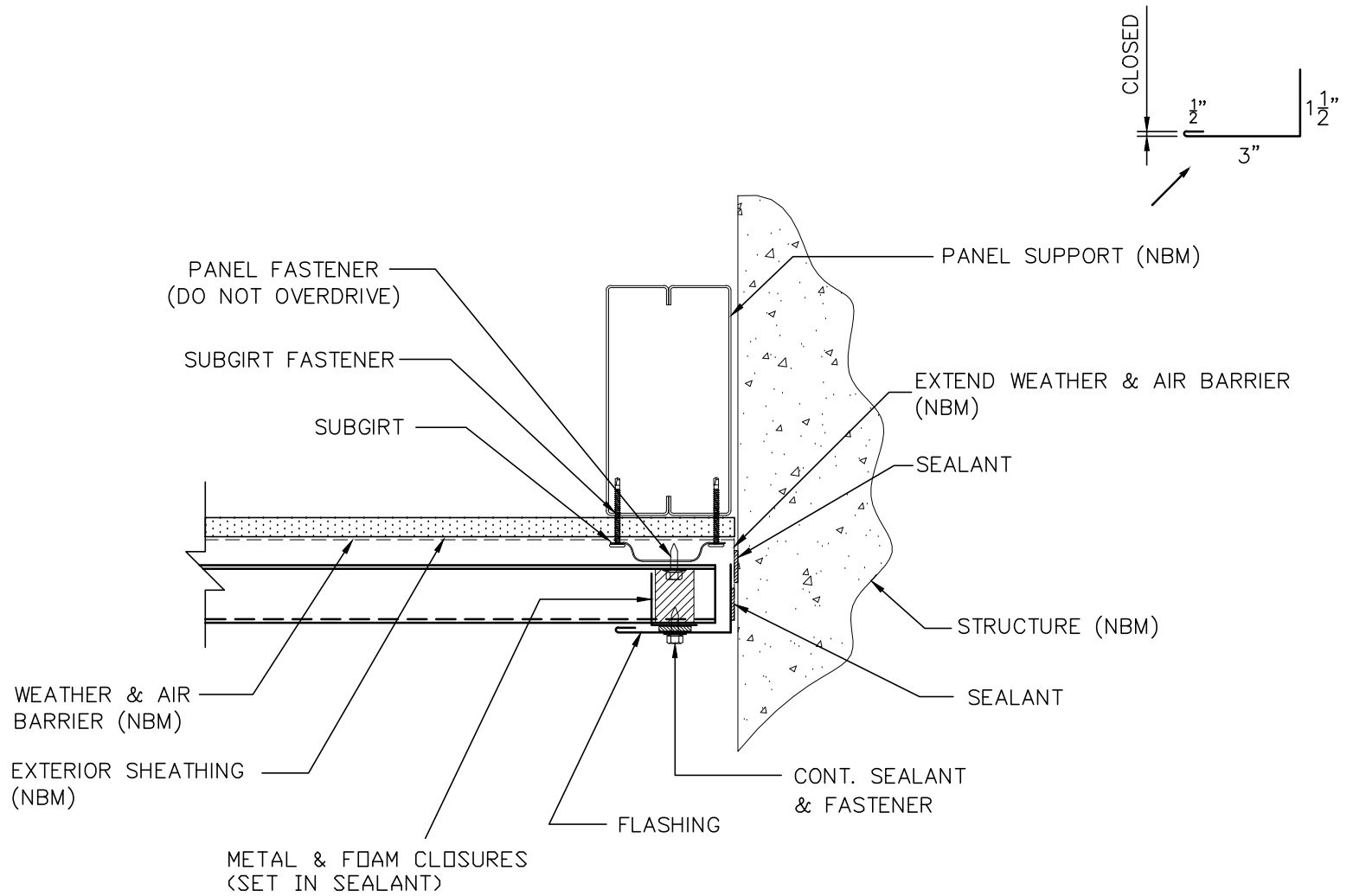
BACK SOFFIT DETAIL

SOFFIT PANELS PERPENDICULAR TO WALL PANELS

BR-35 PANEL SHOWN
Y-36 PANEL SIMILAR

NOTE: (NBM) = NOT BY MORIN

Morin	
<u>EXPOSED FASTENER PANELS</u> <u>HORIZONTAL APPLICATION</u>	
BR-35 & Y-36 PROFILES	
DWG. EFH1312T	△



END WALL DETAIL

NOTE: (NBM) = NOT BY MORIN

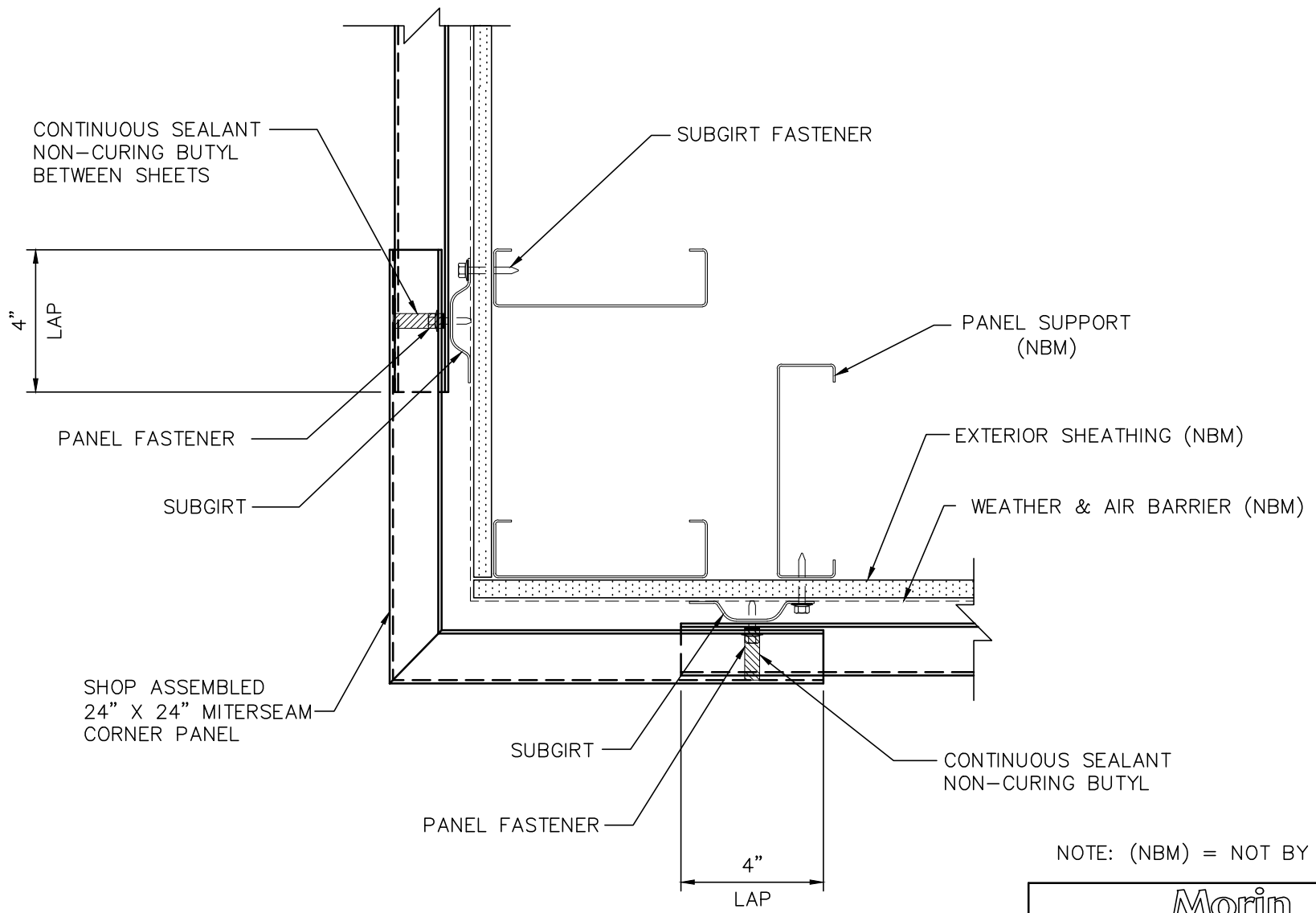
Morin

EXPOSED FASTENER PANELS
HORIZONTAL APPLICATION

BR-35 & Y-36 PROFILES

DWG. EFH1313T





**OUTSIDE CORNER DETAIL
(W/ MITERSEAM)**

NOTE: (NBM) = NOT BY MORIN

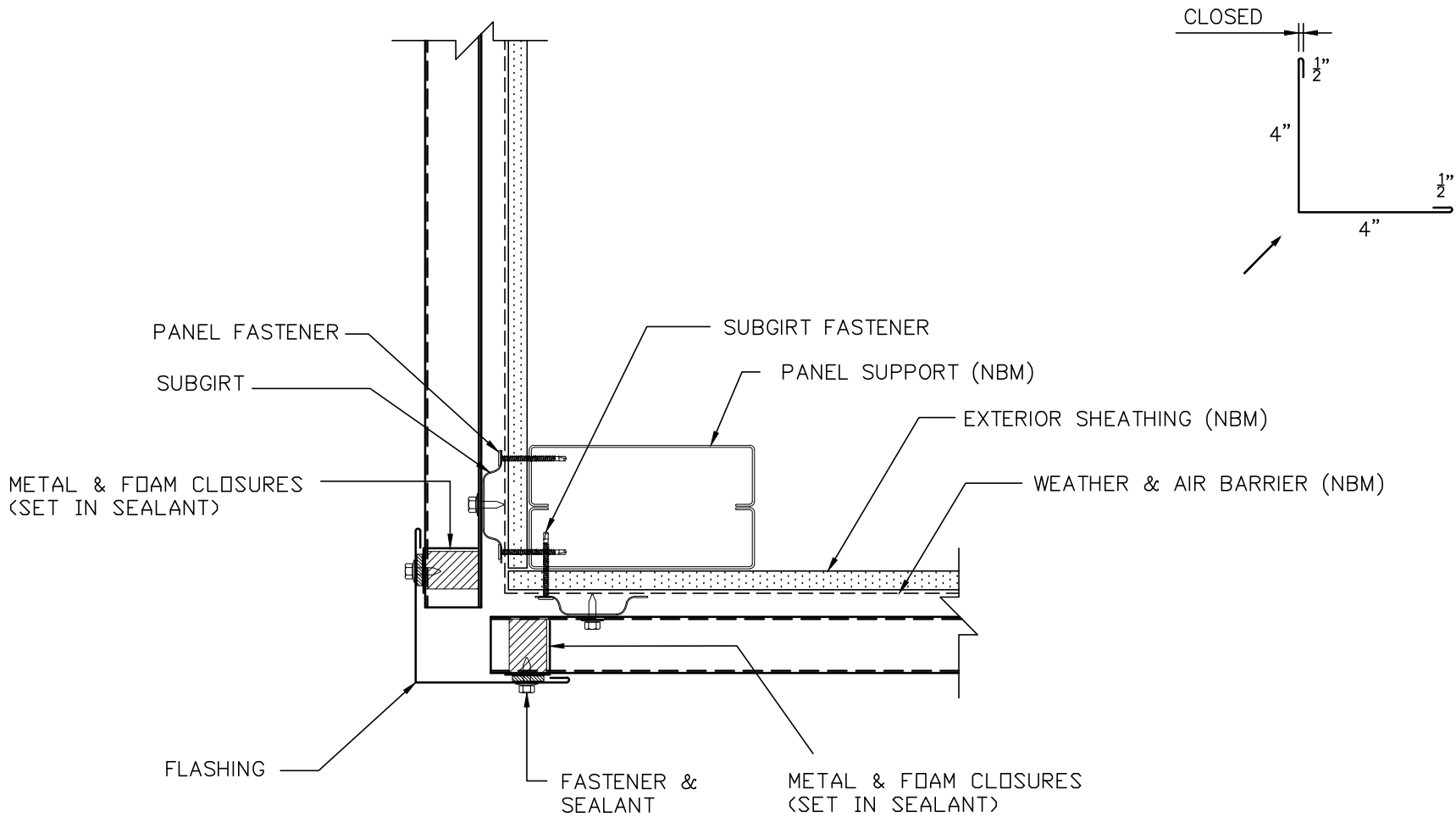
Morin

**EXPOSED FASTENER PANELS
HORIZONTAL APPLICATION**

BR-35 & Y-36 PROFILES

DWG. EFH1314T





OUTSIDE CORNER DETAIL (W/ TRIM)

NOTE: (NBM) = NOT BY MORIN

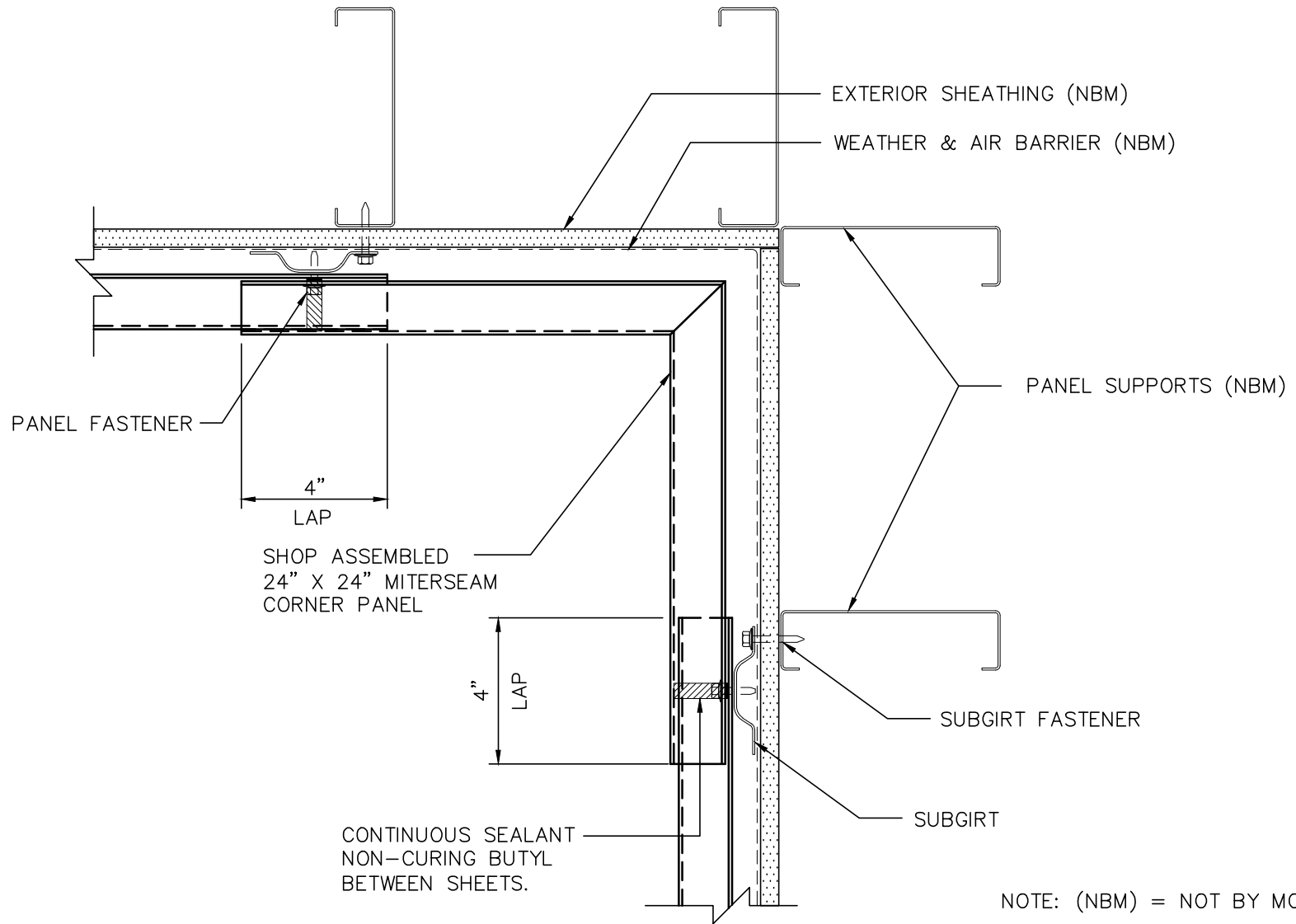
Morin

EXPOSED FASTENER PANELS
HORIZONTAL APPLICATION

BR-35 & Y-36 PROFILES

DWG. EFH1315T





INSIDE CORNER DETAIL
(W/ MITERSEAM)

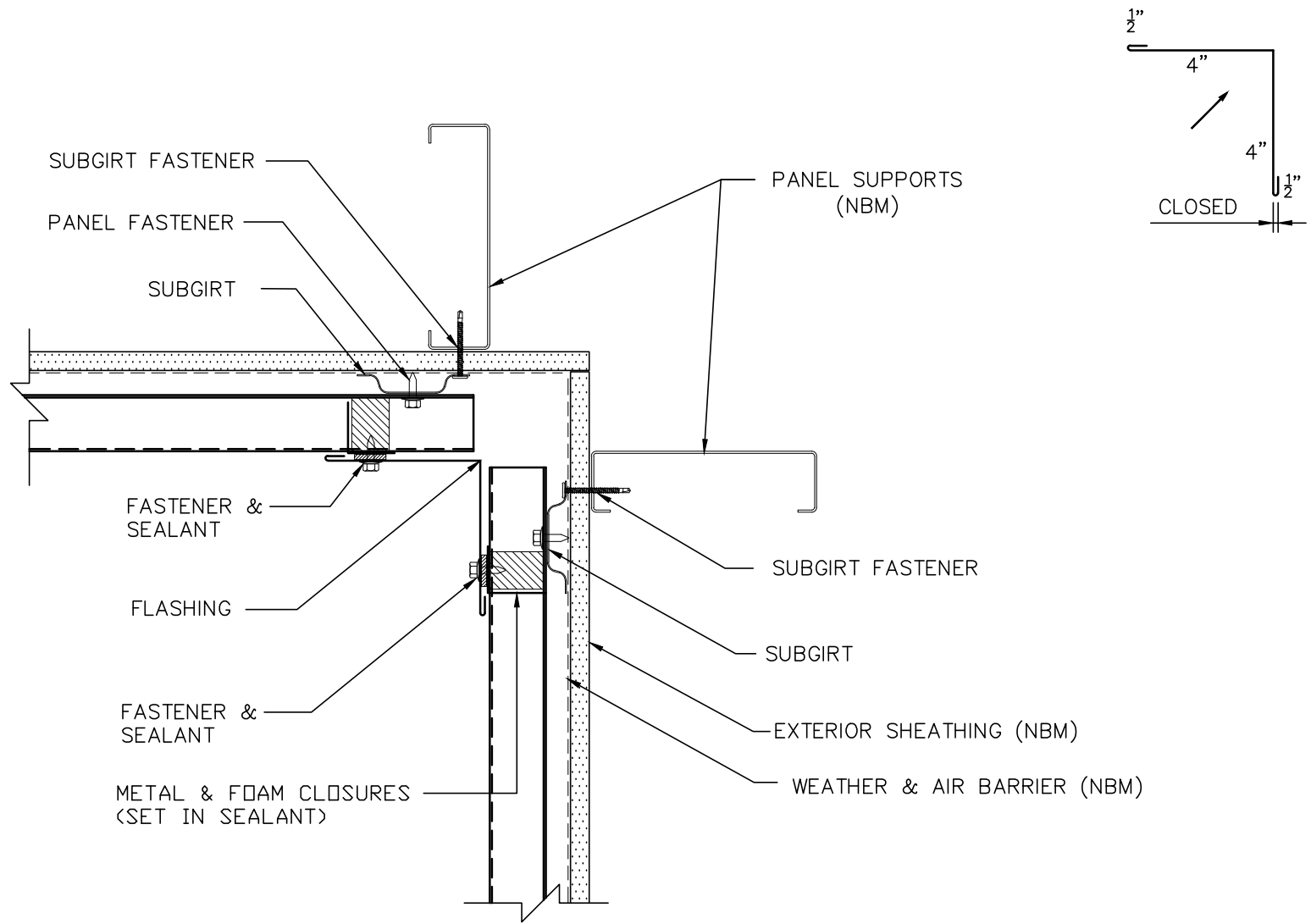
Morin

EXPOSED FASTENER PANELS
HORIZONTAL APPLICATION

BR-35 & Y-36 PROFILES

DWG. EFH1316T





INSIDE CORNER DETAIL W/ TRIM

NOTE: (NBM) = NOT BY MORIN

Morin

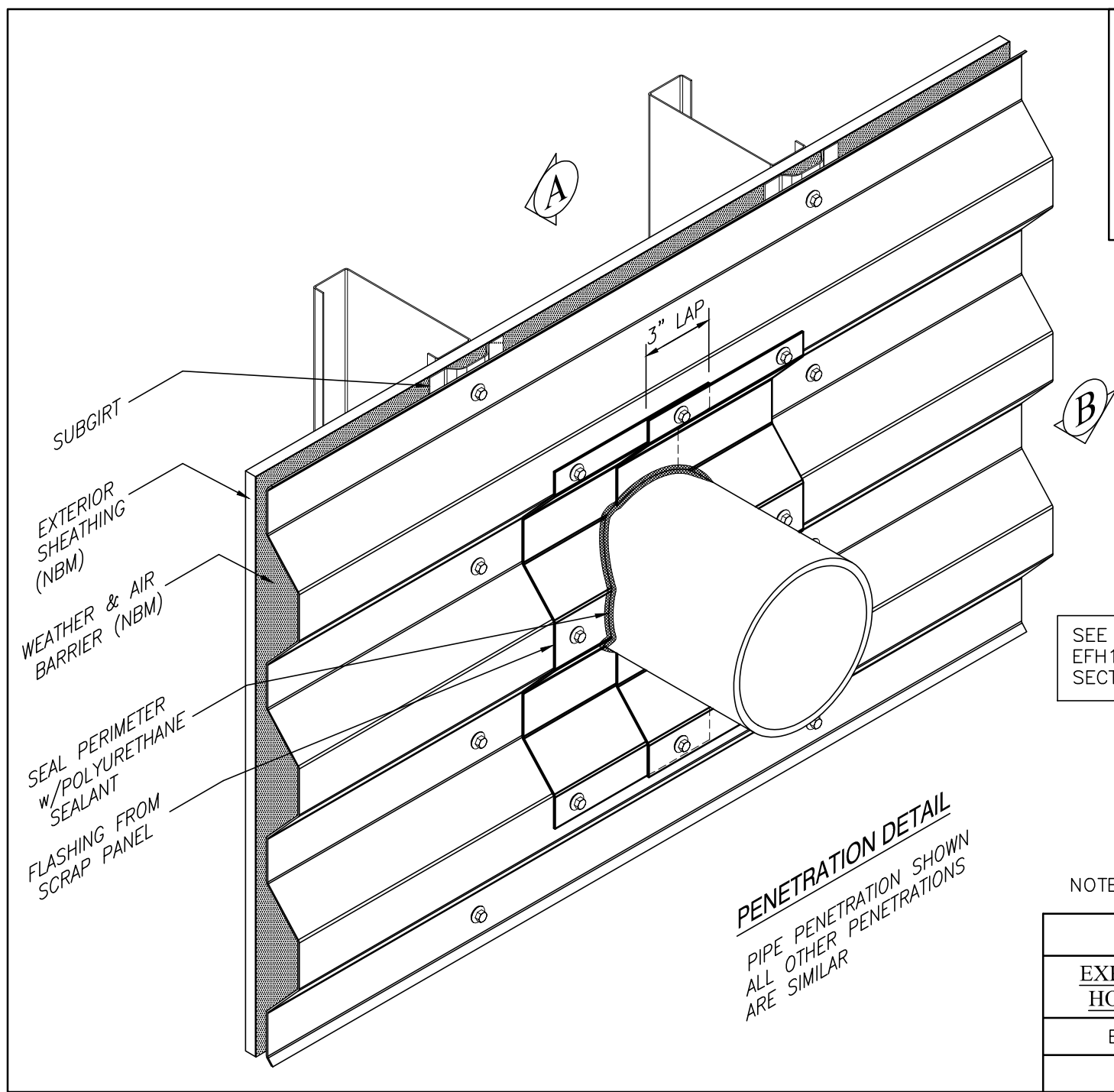
EXPOSED FASTENER PANELS
HORIZONTAL APPLICATION

BR-35 & Y-36 PROFILES

DWG. EFH1317T



PLEASE NOTE:
 THE Y-36 PANEL PROFILE IS SHOWN IN THIS DETAIL.
 THE DETAIL APPLIES TO ALL HORIZONTALLY ERECTED EXPOSED FASTENER PANELS.
 THE DESIGN OF THE FLASHING MUST BE ADJUSTED TO ACCOMMODATE THE PANEL PROFILE USED.



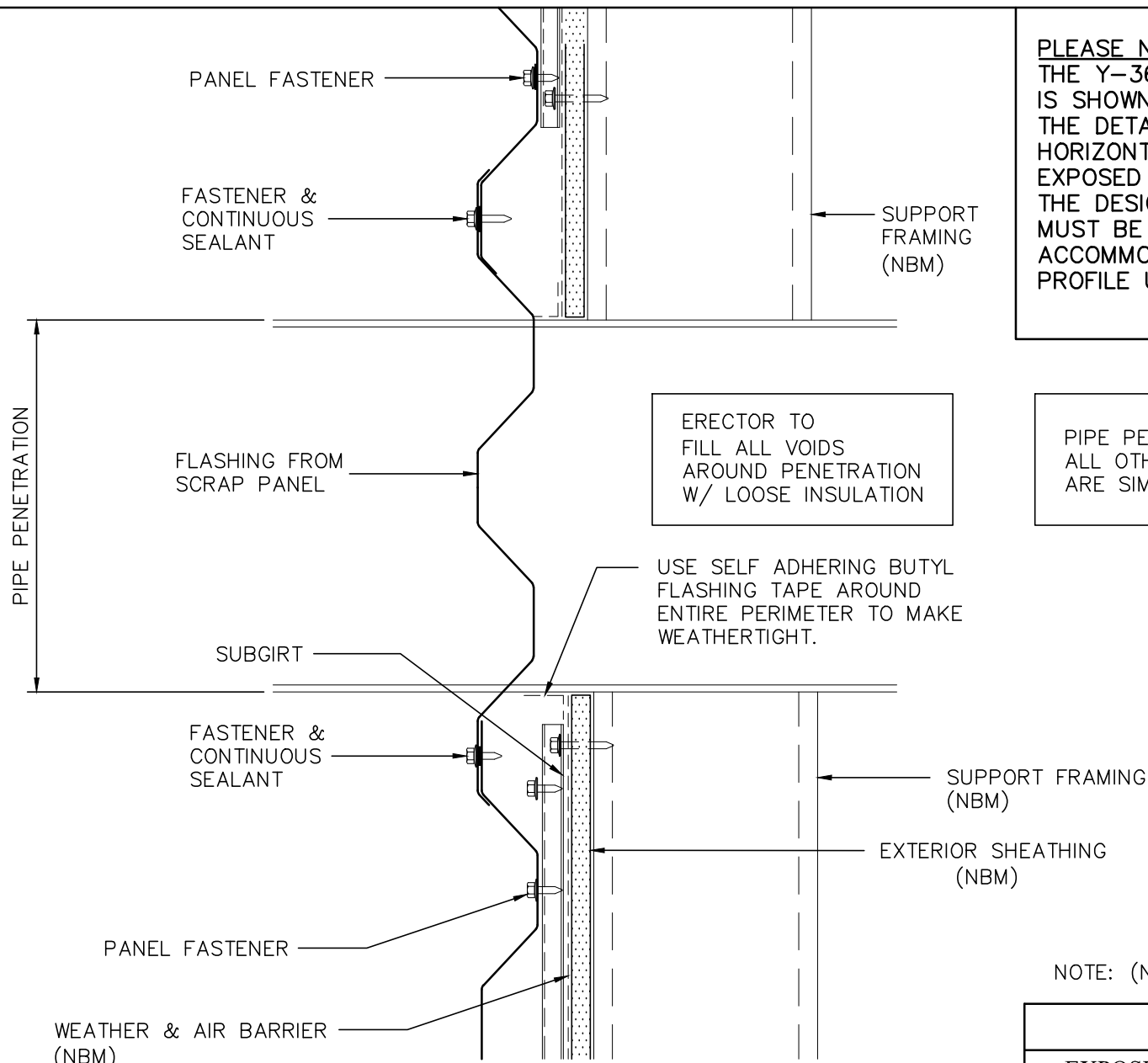
SEE DRAWINGS EFH1318TA & EFH1318TB FOR A & B SECTION CUTS

PENETRATION DETAIL
 PIPE PENETRATION SHOWN
 ALL OTHER PENETRATIONS
 ARE SIMILAR

NOTE: (NBM) = NOT BY MORIN

Morin	
EXPOSED FASTENER PANELS HORIZONTAL APPLICATION	
BR-35 & Y-36 PROFILES	
DWG. EFH1318T	





PLEASE NOTE:
 THE Y-36 PANEL PROFILE IS SHOWN IN THIS DETAIL. THE DETAIL APPLIES TO ALL HORIZONTALLY ERECTED EXPOSED FASTENER PANELS. THE DESIGN OF THE FLASHING MUST BE ADJUSTED TO ACCOMMODATE THE PANEL PROFILE USED.

PIPE PENETRATION SHOWN. ALL OTHER PENETRATIONS ARE SIMILAR.

ERECTOR TO FILL ALL VOIDS AROUND PENETRATION W/ LOOSE INSULATION

USE SELF ADHERING BUTYL FLASHING TAPE AROUND ENTIRE PERIMETER TO MAKE WEATHERTIGHT.

NOTE: (NBM) = NOT BY MORIN

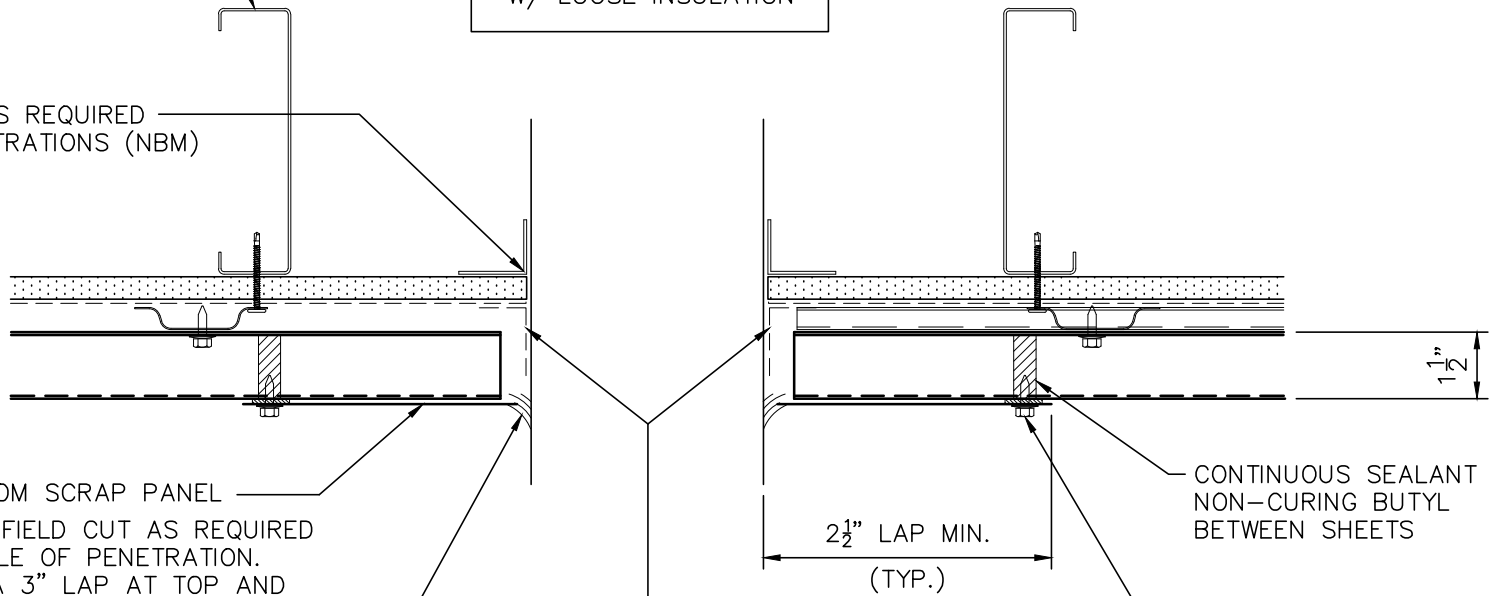
SECTION A-A

Morin	
<u>EXPOSED FASTENER PANELS</u> <u>HORIZONTAL APPLICATION</u>	
BR-35 & Y-36 PROFILES	
DWG. EFH1318TA	△

SUPPORT FRAMING (NBM)

ERECTOR TO FILL ALL VOIDS AROUND PENETRATION W/ LOOSE INSULATION

SUPPORTS REQUIRED AT PENETRATIONS (NBM)



FLASHING FROM SCRAP PANEL
ERECTOR TO FIELD CUT AS REQUIRED TO FIT PROFILE OF PENETRATION. ALLOW FOR A 3" LAP AT TOP AND BOTTOM OF PENETRATION AS SHOWN IN ISOMETRIC ON DWG. EFH1318T.

ERECTOR TO SEAL PERIMETER OF PENETRATION w/POLYURTHANE SEALANT TO MAKE WATERTIGHT. NEATLY TOOL ALL SEALANTS

USE SELF ADHERING BUTYL FLASHING TAPE AROUND ENTIRE PERIMETER TO MAKE WEATHERTIGHT.

2 1/2" LAP MIN. (TYP.)

CONTINUOUS SEALANT NON-CURING BUTYL BETWEEN SHEETS

SEALANT & FASTENER

1 1/2"

SECTION B-B

PIPE PENETRATION SHOWN. ALL OTHER PENETRATIONS ARE SIMILAR.

NOTE: (NBM) = NOT BY MORIN

Morin

EXPOSED FASTENER PANELS
HORIZONTAL APPLICATION

BR-35 & Y-36 PROFILES

DWG. EFH1318TB

